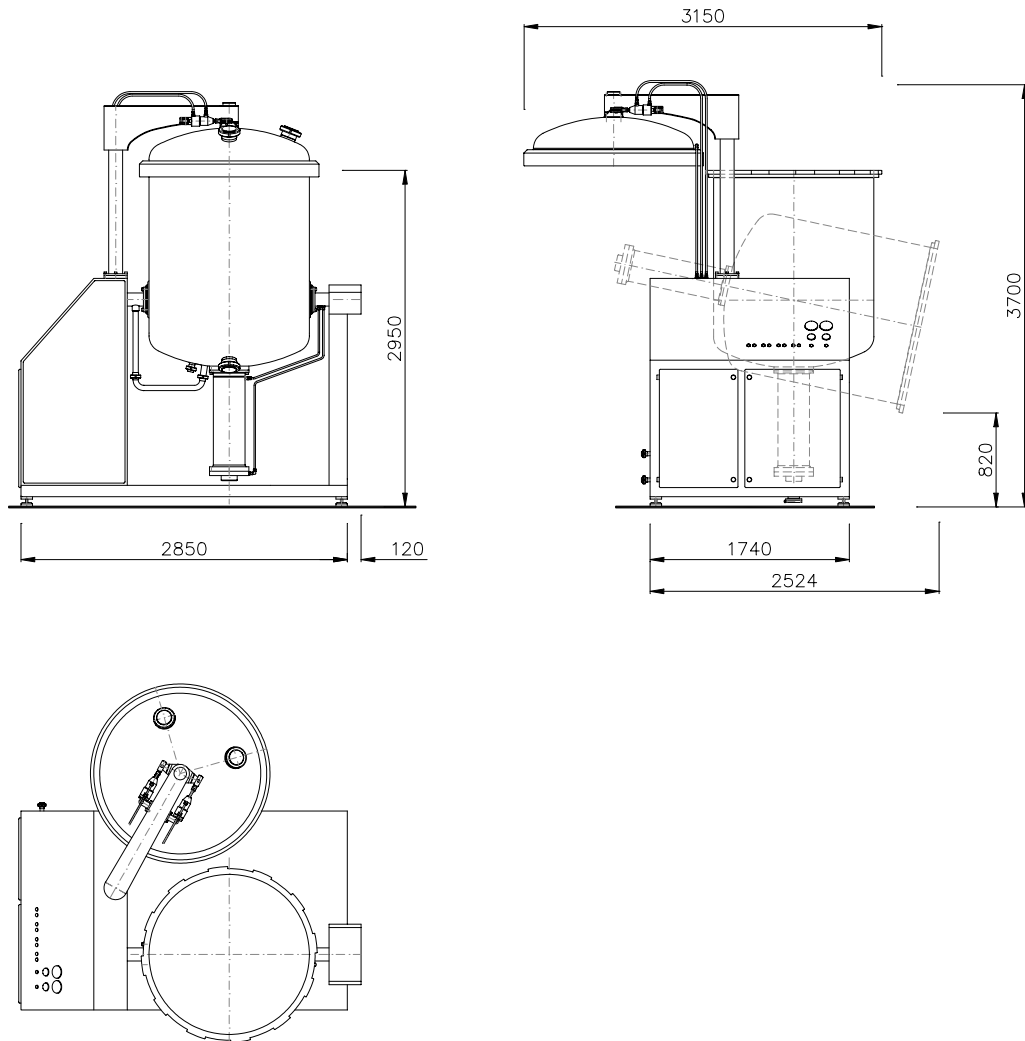


TECHNICAL DATA

TYPE: DIG-MAZ 2000



| Type: | DIG-MAZ 2000 | |
|--------------------|-----------------|-----------------------|
| Extraction tank: | 2000 liters | Herbs volume |
| Make-up water: | 5 bar | 15 l/h |
| Steam / Hot water: | 15 kW | max 120°C |
| Compressed air: | 6 bar | 12 m ³ / h |
| Power supply: | 3x400 V / 50 Hz | |
| Power consumption: | 8 kW | |